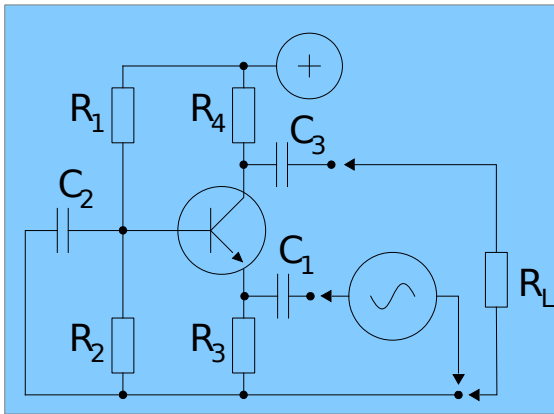


# Grammars Matter



conforms

**Circuit  
grammar**

```
package org.rascalmpl.eclipse.editor;
import java.util.HashMap;
public class M2M extends MessagesTo {
    static final HashMap<String,Integer> sevs
        = new HashMap<String,Integer>(){
        put("info",    IMarker.SEVERITY_INFO);
        put("warning", IMarker.SEVERITY_WARNING);
        put("error",   IMarker.SEVERITY_ERROR);
    };
    public MessagesToMarkers()
    {super(IMarker.SEVERITY_INFO, sevs);}
}
```

conforms

**Java  
grammar**

conforms

**Error API  
grammar**

	jls1	jls2	jls3	jls12	Total
LOC XBGF	682	6774	10721	5114	30859
LOC EXBGF	399	5509	7524	3835	23744
Ns XBGF	309	3433	5478	1540	15851
Ns EXBGF	177	2726	3648	1377	11894
Ss XBGF	67	387	544	111	1611
Ss EXBGF	42	275	398	98	

conforms

**Table  
grammar**

conforms =  
commits to  
grammatical  
structure

- Grammar:
  - structural description
  - description of structures

- Deals with:
  - several interrelated categories
  - compound structure
  - choice among alternatives

- Serves as:
  - contract
  - interface
  - documentation
  - model